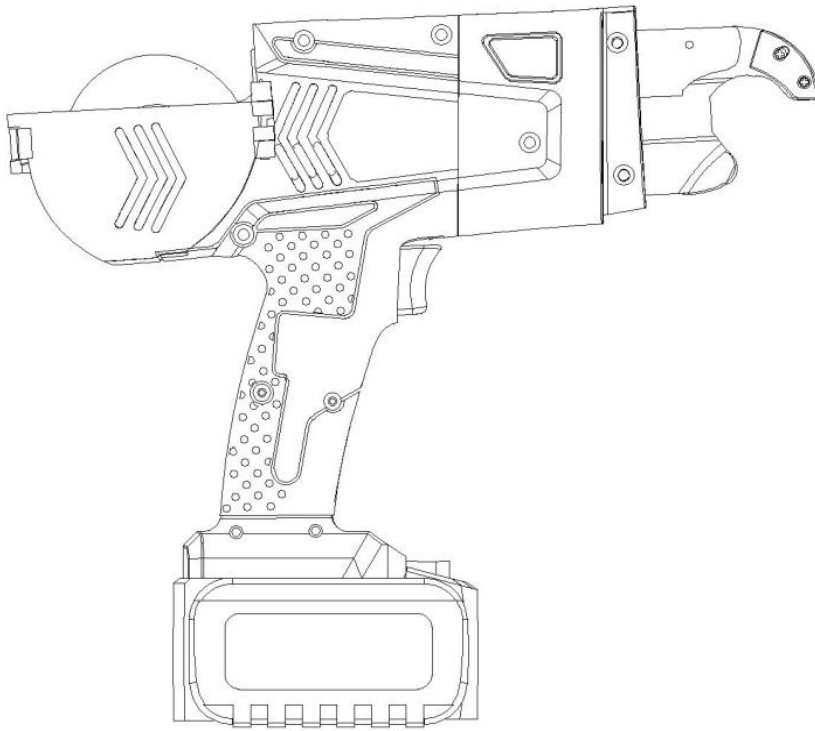


Automatic Rebar Tying Machine

BT-890



Warning:

Please read this manual carefully to ensure safety warning and instructions before operating the machine.

Keep this manual with the tool for future reference.

Regular Information

Product name: Automatic rebar tying machine

Product model: BT-890

Product purpose:

Known as a new electric tool for rebar tying, automatic rebar tying machine is mainly applied to the buildings structured with reinforced concrete, as well as the projects like bridge, road, tunnel and mine shaft. As an intelligent tool with built-in micro controller, this product can automatically complete all rebar-tying procedures, and improve the working efficiency obviously compared with manual tying.

This product can be flexibly controlled in small size and light weight, and thus can be operated by a single hand. The intelligent system can ensure the rapid and stable tying, with the tying efficiency equaling 2-4 times of manual tying, which can save great efforts, improve working efficiency, and reduce risk coefficient. The high-performance lithium battery has made a contribution to small size and longer working time.

Technical parameters:

Product model: BT-890

Machine size: 10inch×11inch×2.6inch

Weight: 3.1LB

Tying range: 0.31-1.33inch

Iron wire diameter: 0.03inch

Tying length/knot: 11.8-19.6inch

Knot/battery: 3000 knots

Battery capacity: 4400mAh

Voltage: 12.8V

Tying time: 0.8s

Charging time: 1.5 h

Standard Accessories:

1pc of rebar tying machine

2pcs of battery

1pc of charger

1pc of steel wire coil

1pc of Sharp Nose Pliers

2pcs of Allen Wrench

Operation Instruction

I. Please charge the unused lithium battery for 1.5 hours before using the machine. While the charger green light is on and the red light is off, the battery has been fully charged. Insert the battery into the relevant handle position of tying machine. Turn on power switch, and the indicator light(red light) will on with buzzer, which means the machine is on.

II. In the power-on mode, release the lock sheet of coil cover and open the cover. Put our customized wire coil into the machine.

III. Take out and straighten the end of the wire (approx. 10-15cm), and slowly insert the wire into the plastic mouth, until it is blocked. Put the wire coil cover back, and lock the lock buckle.

Attention:the wire would fail to be sent if the end of the wire is not straightened.

IV. Hold the wire with two fingers and push it forward. Press the trigger, and send out the wire.

Attention:keep your hands away from the jaw when tying

V. Rebar tying.

1. Put the jaw of the tying machine in the cross point of two rebar, and hook the rebar at a 45 degree angle.

2. Press the start button to finish tying procedures (spitting wire, twisting and cutting). There will be a slight shaking when the machine is tying, but please do hold the hand on machine with proper strength. It is feasible to relax properly. Don't pull out or press the machine during the tying process, otherwise, loose tying or slack knot will be caused.

3. After automatic tying, lift up the jaw from the cross point and pull the machine out toward the rear end.

VI. The wire guiding block is quick-wear part, so it is need to be adjusted if necessary. Loose the screw and adjust it to proper position(see figure2). The proper diameter of the knot circle is 48mm(see figure 1).

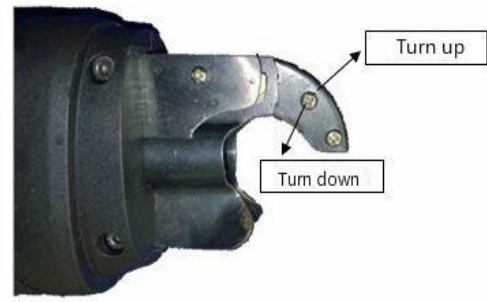


Figure 2

VII. Torque Adjusting(see figure 3). Adjust torque when the knot tightness is improper. Press the “+” button to increase the torque when the knot is loose (the factory setting is 4th level). The buzzer sounds according to the related level, e.g there are 4 buzzer sounds when the torque is on 4th level. Press “-” button when the knot is too tight(the knot is easy to be broken).

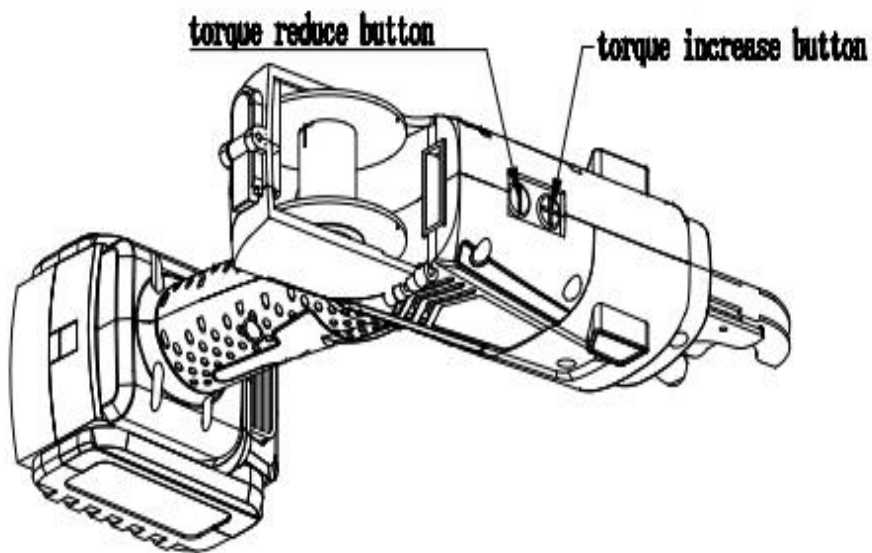


Figure 3

Trouble Shooting

Problems	Causes	Solutions
Turn on button doesn't work and machine cannot be opened	<ol style="list-style-type: none"> 1.The battery is over-used or damaged 2.Failures of motor or circuit board 3.The battery is not insert or inserted tightly 	Change battery or install battery again after it is fully charged. If still failed, send the machine to professional maintenance personal for repair
Motor works, but no wire comes out	<ol style="list-style-type: none"> 1. Without wire coil or install non-designated wire coil 2. The end of the wire is not straightened 	<ol style="list-style-type: none"> 1. Insert designated wire coil 2. Straighten the end of the wire
The machine doesn't work	<ol style="list-style-type: none"> 1. Low battery 2. The gearing is jammed 3. Failures of motor or circuit board 	<ol style="list-style-type: none"> 1. Fully charged the battery 2. Open the gearing and take out the stuff
The wire fail to be cut off	Wear of the wire cut blade or wire guiding block	Change the wire cut blade or wire guiding block
Wire shifting: the wire is not in the right place of the jaw, which leads to tying failure	The jaw is blocked, which will cause intervention of wire track. As a result, the wire does not come out in the right place.	Adjust the tying angle and clean the obstacles in the wire track, so as to eliminate all interference.
Charger indicator light off	The charger failures	Replace it with a new charger
Buzzer Alarm	<ol style="list-style-type: none"> 1. the machine does not be used after turn on the power switch over one minuter 2. Run out of the battery. 	<ol style="list-style-type: none"> 1.Switch off and restart the machine 2.Fully charged the battery or change the battery

Maintenance

1. Please regularly inspect the machine and keep the jaw and other place clean.
2. When you have finished tying wires or when the machine will not be used for a

while, switch off the machine, remove the battery pack and put it into the original package.

3. Please regularly replace the wearing parts, such as wire guiding block and blade.

After-sales Service

Three months guarantee or guarantee of 100000 times from delivery(depends on the earlier arrival), with 3 months guarantee for the battery(not including the damage caused by using non-designated wire coil, charge and battery). Damages caused by man-made or natural disasters are not included. Wear parts such as charger,wire cut blade, wire guiding block,Sharp Nose Pliers and Allen wrench are not included.

Safety Instructions

1. To avoid severe personal injury or property damage, read the manual carefully before using the machine.
2. Don't allow children near the machine
3. Keep fingers and body parts away from the jaw and curl guide at all time
4. Don't use the machine in the rain. Place the machine in the dry and clean environment without corrosive gas when not in service
5. Keep the battery away from heat and flames. Please use our designed charger.
6. Stop using the machine if the battery is bulging
7. Switch off the machine when the buzzer alarm, and use the machine after troubleshooting.
8. Switch off the machine and remove the battery before checking and repairing the machine.
9. Wear safety grove while operating the machine.

Special Remarks

1. It is normal to find scratches on the arm of the machine, which are caused by machine testing.
2. When the wire is used up, pull out the rest wire along with the wire coil. Don't cut the wire directly, or the machine will get stuck If the wire could not be pulled out, check if the wire cut blade was clamped , and revolve the jaw with diagonal pliers to pull out the wire.